

## FITTING INSTRUCTION

CASEMENT HOOK IPA NO.s 21370-79

HOOK-CATCHES IPA NO.s 21381-82

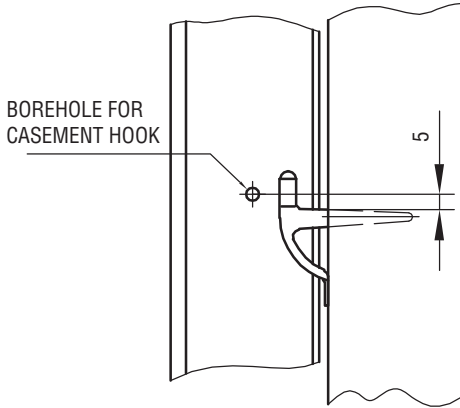


FIG. 1  
 IPA NO. 21381  
 FOR HOOK-CATCHES Ø3-Ø3,2 MM  
 PRE-DRILLING IS RECOMMENDED

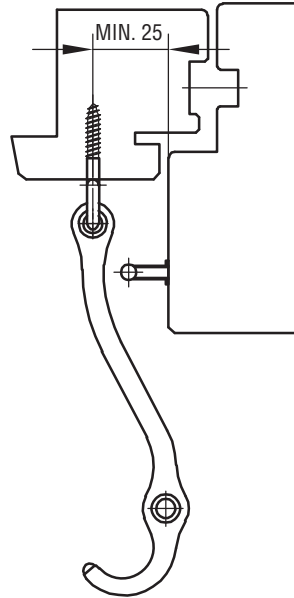


FIG. 2  
 IPA NO. 21372 WITH 21381

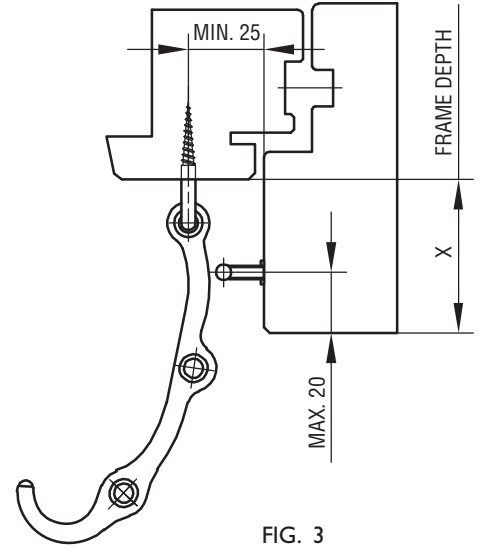


FIG. 3  
 IPA NO. 21378 WITH 21381

THE MENTIONED MAX. AND MIN. DIMENSIONS APPLY FOR A FRAME DEPTH (X ON THE DRAWING) OF AS MUCH AS 50 MM. IF X IS BIGGER THAN 50 MM, WE RECOMMEND USING IPA NO. 21372

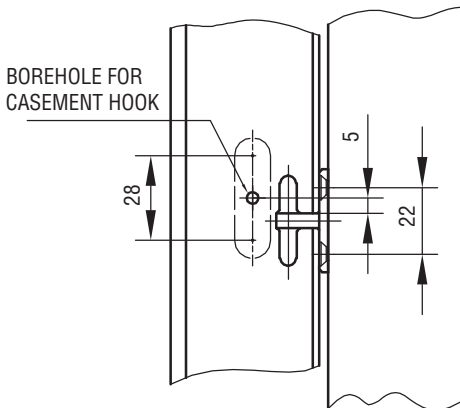


FIG. 4  
 IPA NO. 21382

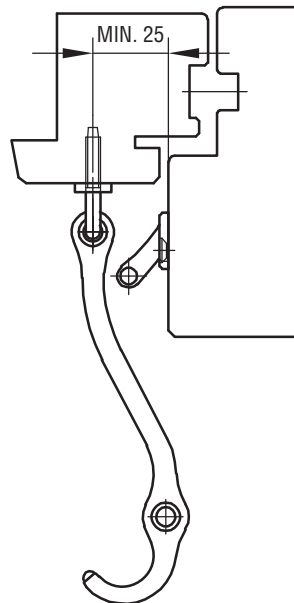


FIG. 5  
 IPA NO. 21371 WITH 21382

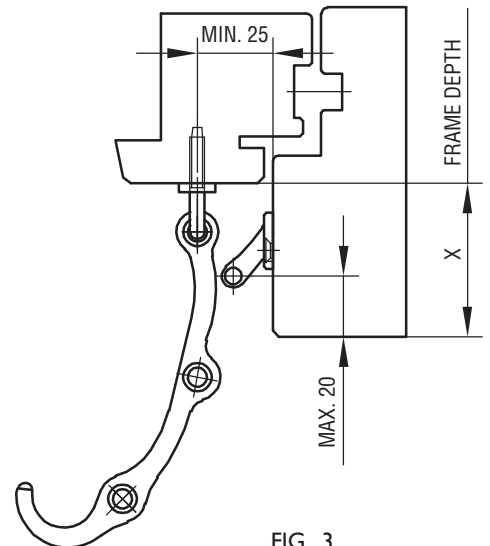


FIG. 3  
 IPA NO. 21379 WITH 21382

THE MENTIONED MAX. AND MIN. DIMENSIONS APPLY FOR A FRAME DEPTH (X ON THE DRAWING) OF AS MUCH AS 50 MM. IF X IS BIGGER THAN 50 MM, WE RECOMMEND USING IPA NO. 21371