

## FITTING INSTRUCTIONS

DOOR HINGE - ADJUSTABLE IPA NO. 12098

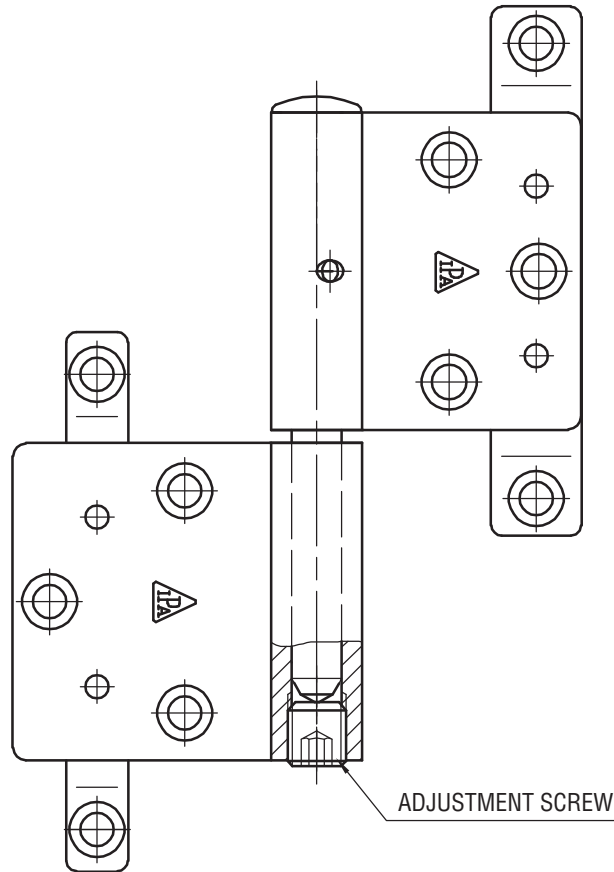


FIG. 1

EXAMPLE WOOD PROFILE

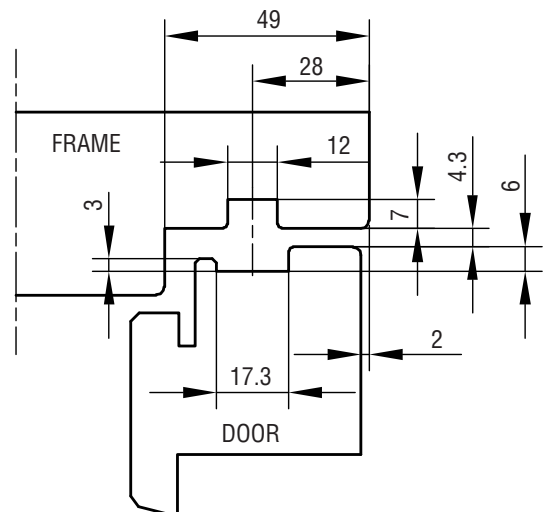


FIG. 2

**ADJUSTMENT:**

VERTICALLY: ADJUST TO WANTED POSITION ON THE LARGE SCREW IN THE BOTTOM HINGE PART -  $\pm 3$  MM.

**MAINTENANCE:**

TEST THE OPERATION FROM TIME TO TIME.  
 WHEN FITTING - LUBRICATE THE PIVOT/MOVABLE METAL PARTS OF THE MECHANISM WHILE ACTIVATING REPEATEDLY.  
 HEREAFTER LUBRICATE MINIMUM TWICE A YEAR.