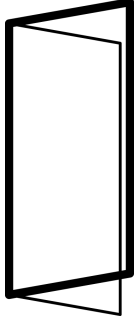




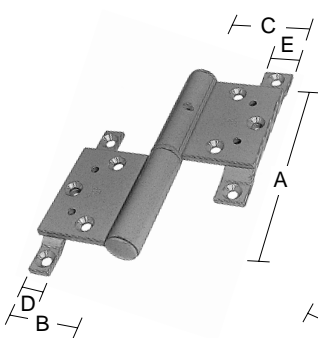
DOOR HINGE

IPA NO.s 11195-99 & 11200-201

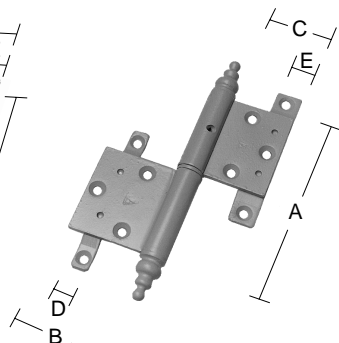


ORDERING NO.														A MM	B MM	C MM	D MM	E MM	THICKNESS PLATE MM	PIN MM	SCREW	APPROX. WEIGHT KG/EACH	
IPA NO.	MATERIAL				SQUARE EDGES LEFT	SQUARE EDGES RIGHT	SURFACE					STANDARD PACKING IN BOXES OF 10 PIECES	INDUSTRY PACKING IN BOXES OF 50 PIECES										INDUSTRY PACKING IN PALLETS OF 700 PIECES
	STEEL FIXED STEEL PIN	STEEL FIXED BRASS PIN	BRASS FIXED STEEL PIN	STAINLESS STEEL			GALVANIZED/WHITE	ELECTROPL. YELLOW	POLISHED	UNMACHINED	GALVANIZED												
11195	2	-	-	-	3	4	-	-	-	-	87	1	-	-	120	69	61,5	12	17	4	9,5	5,0	0,53
11197	-	3	-	-	3	4	-	25	-	-	87	1	-	-	120	59	51,5	12	17	4	9,5	5,0	0,48
	-	-	7	-	3	4	-	-	85	-	-	1	-	-									
11198	2	3	-	-	3	4	-	25	-	-	87	-	2	-	120	49	41,5	12	17	4	9,5	5,0	0,43
	2	-	-	-	3	4	-	-	-	-	87	1	-	-									
	-	3	-	-	3	4	06	25	-	-	87	1	-	-									
	-	-	7	-	3	4	-	-	85	-	-	1	-	-									
	-	-	-	8	3	4	-	-	-	86	-	1	-	-									
	2	-	-	-	3	4	-	25	-	-	87	-	-	3									
11199	-	3	-	-	3	4	06	-	-	-	87	1	-	-	120	49	41,5	12	17	4	9,5	5,0	0,5
11200	-	3	-	-	3	4	06	-	-	-	87	1	-	-	120	49	41,5	12	17	4	9,5	5,0	0,5
11201	-	3	-	-	3	4	06	-	-	-	87	1	-	-	120	49	41,5	12	17	4	9,5	5,0	0,5

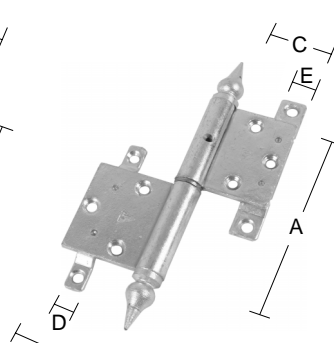
THREADED BACK PLATE IPA NO. 12721 - SEE PAGE G-03



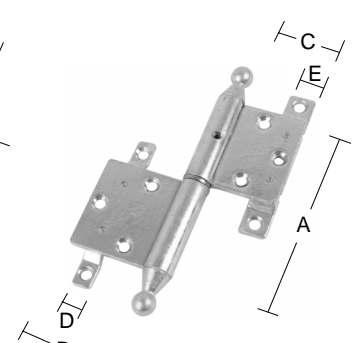
11195+11197-98
RIGHT HAND



11199
RIGHT HAND



11200
RIGHT HAND



11201
RIGHT HAND